

SOT-23 SCHOTTKY BARRIER DIODE

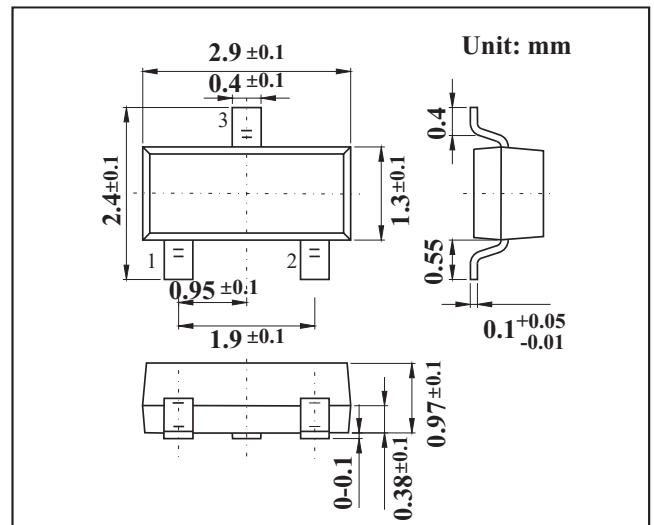
VOLTAGE RANGE: 40V PEAK PULSE POWER:250mW

FEATURES

- Small Surface Mounting
- Type Low VF
- High Reliability
- Low Power Rectification

MECHANICAL DATA

- Case: SOT-23 Small Outline Plastic Package
- Polarity: Color band denotes cathode end
- Mounting Position: Any



0 08057 11+575 7

E 7 S U U O U

EO	3 U U	9 O	8
95	O 9 O		9
2	U U UU		
0	1 U S 3 U U U UU		
3	3 U S		:
5-	7 U O5 U - E		:
7-	- 7 S U U		
7	U 7 S U U	a	

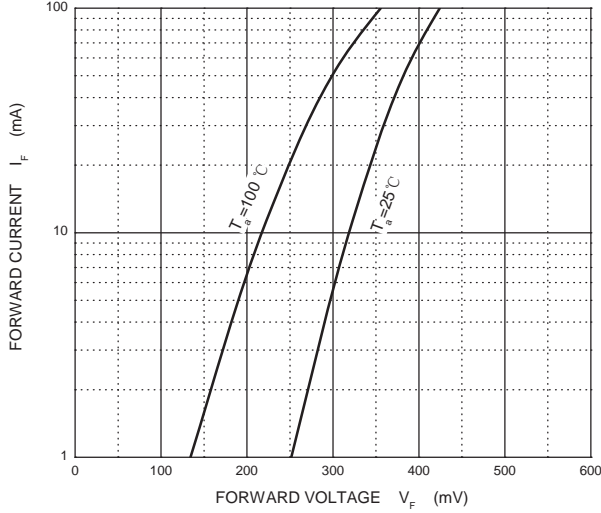
O U O S 7 O U S

Parameter	Symbol	Test conditions	Minp	Ty	Maxnit	U
Reverse voltage	$V_{(BR)}$	$I_R=100\mu A$	40			V
Reverse current	I_R	$V_R=10V$			30	μA
Forward voltage	V_F	$I_F=100mA$			0.55	V
		$I_F=10mA$			0.34	
Total capacitance	C_{tot}	$V_R=10V, f=1MHz$		6		pF

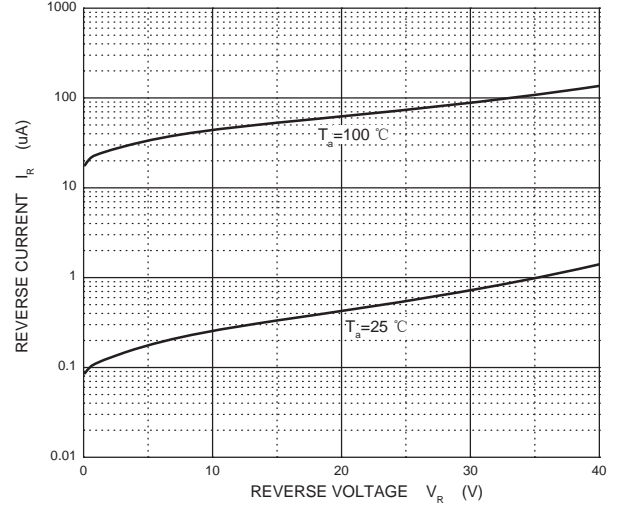
MARKING: D3C

RATINGS AND CHARACTERISTIC CURVES

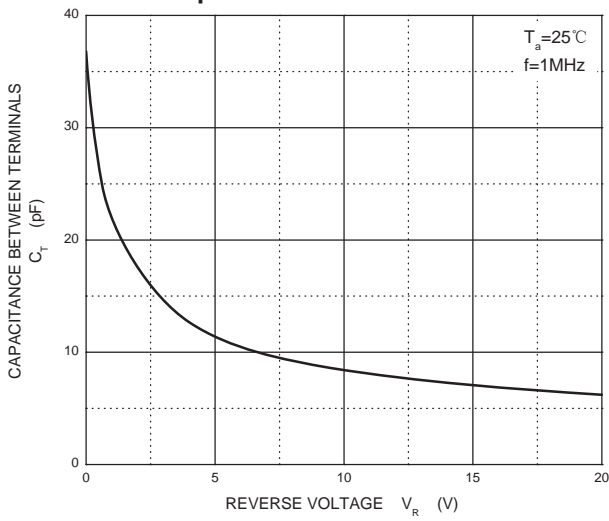
Forward Characteristics



Reverse Characteristics



Capacitance Characteristics



Power Derating Curve

