

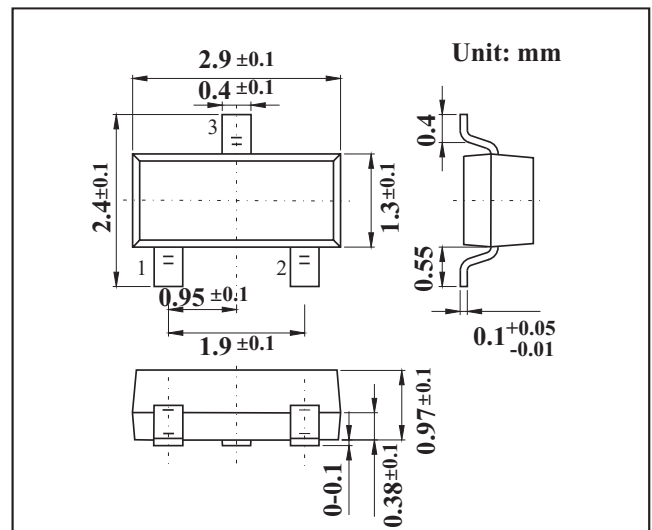
## GOT23 Small Signal Switching Diodes

### Features

- Fast Switching Speed
- For General Purpose Switching Applications
- High Conductance

### MECHANICAL DATA

- Case: SOT-23 Small Outline Plastic Package
- Polarity: Color band denotes cathode end
- Mounting Position: Any



### MAXIMUM RATINGS AND CHARACTERISTICS

@ 25°C Ambient Temperature (unless otherwise noted)

Parameter	Symbol	Rating	Unit
Non-Repetitive Peak Reverse Voltage	$V_{RM}$	100	V
Peak Repetitive Reverse Voltage	$V_{RRM}$		
Working Peak Reverse Voltage	$V_{RWM}$	75	V
DC Blocking Voltage	$V_R$		
RMS Reverse Voltage	$V_{R(RMS)}$	53	V
Average Rectified Output Current	$I_O$	200	mA
Forward Continuous Current	$I_{FM}$	300	mA
Non-Repetitive Peak Forward Surge Current @ $t = 1.0 \mu s$	$I_{FSM}$	2.0	A
@ $t = 1.0s$		1.0	
Power Dissipation	$P_d$	250	mW
Thermal Resistance Junction to Ambient Air	$R_{\theta JA}$	357	°C/W
Operating and Storage Temperature Range	$T, T_{STG}$	-55 to +150	°C

### Electrical Specification ( $T_A=25^\circ C$ unless otherwise specified)

Parameter	Symbol	Test conditions	Min	Typ	Max	Unit
Reverse Breakdown Voltage	$V_{(BR)R}$	$I_R=100 \mu A$	75			V
Forward Voltage	$V_F$	$I_F = 1.0mA$			0.715	V
		$I_F = 10mA$			0.855	
		$I_F = 50mA$			1.0	
		$I_F = 150mA$			1.25	
Leakage Current	$I_R$	$V_R = 75V$			1.0	$\mu A$
		$V_R = 20V$			25	nA
Junction Capacitance	$C_j$	$V_R = 0, f = 1.0MHz$			2	pF
Reverse Recovery Time	$t_{rr}$	$I_F = I_R = 10mA, I_{rr} = 0.1 \times I_R, R_L = 100 \Omega$			4	n