

SOD-523 SCHOTTKY BARRIER DIODE

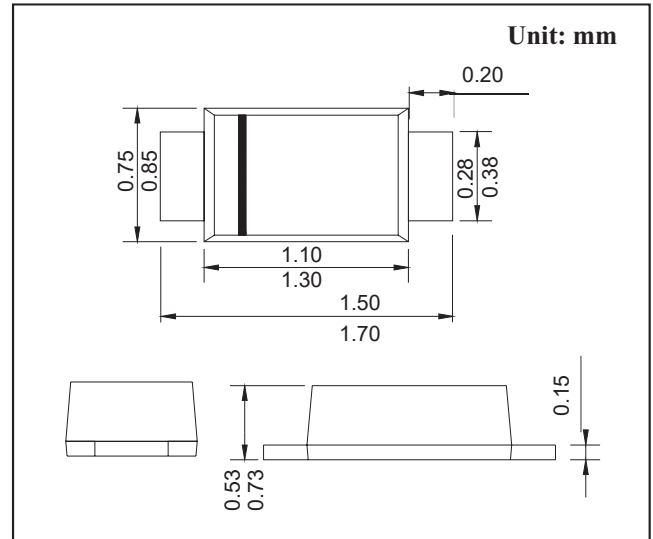
VOLTAGE RANGE: 10V PEAK PULSE POWER:150mW

FEATURES

- Low Forward Voltage Drop
- Guard Ring Construction for Transient
- Protection Negligible Reverse Recovery Time
- Very Low Reverse Capacitance

MECHANICAL DATA

- Case: SOD-523 Small Outline Plastic Package
- Polarity: Color band denotes cathode end
- Mounting Position: Any



MAXIMUM RATINGS AND CHARACTERISTICS

@ 25°C Ambient Temperature (unless otherwise noted)

Symbol	Parameter	Value	Unit
VR	DC Blocking Voltage	10	V
IO	Continuous Forward Current	100	mA
IFM	Peak Forward Current	200	mA
IFSM	Non-repetitive Peak Forward Surge Current @t=8.3ms	1	A
PD	Power Dissipation	150	mW
RθJA	Thermal Resistance From Junction To Ambient	667	°C/W
Tj	Junction Temperature	125	°C
Tstg	Storage Temperature	-55~+150	°C

Electrical Specification (TA=25°C unless otherwise specified)

Parameter	Symbol	Test conditions	Min	Typ	Max	Unit
Reverse voltage	V(BR)	IR=100μA	10			V
Reverse current	IR	VR=10V			20	μA
Forward voltage	VF	IF=1mA		0.18		V
		IF=5mA			0.3	
		IF=100mA			0.5	
Total capacitance	Ctot	VR=0V,f=1MHz			40	pF

MARKING: S4

RATINGS AND CHARACTERISTIC CURVES

