

SOD-523 SCHOTTKY BARRIER DIODE

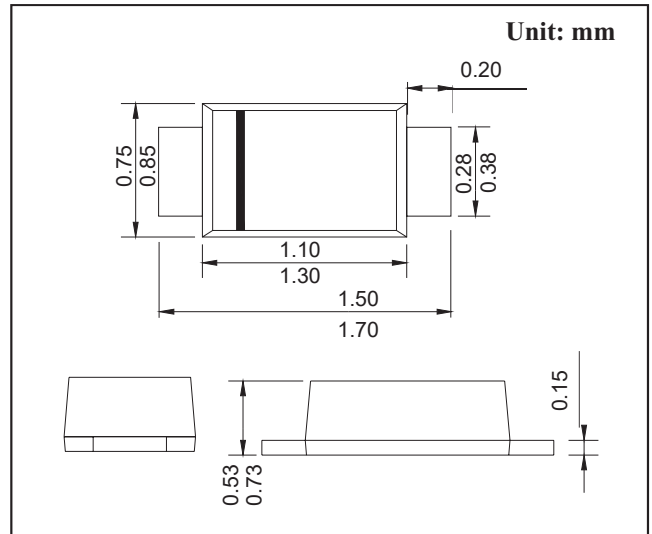
VOLTAGE RANGE: 45V PEAK PULSE POWER:150mW

FEATURES

- Low Forward Voltage Drop
- Guard Ring Construction for Transient
- Protection Negligible Reverse Recovery Time
- Very Low Reverse Capacitance

MECHANICAL DATA

- Case: SOD-523 Small Outline Plastic Package
- Polarity: Color band denotes cathode end
- Mounting Position: Any



MAXIMUM RATINGS AND CHARACTERISTICS

@ 25°C Ambient Temperature (unless otherwise noted)

Parameter	Symbol	Limit	Unit
Peak reverse voltage	VRM	45	V
DC reverse voltage	VR	40	V
Maximum (peak) forward current	IFM	300	mA
Average forward current	IO	100	mA
Non-repetitive Peak Forward Surge Current@t=8.3ms	IFSM	1000	mA
Power dissipation	PD	150	mW
Junction temperature	Tj	125	°C
Storage temperature	Tstg	-55~+150	°C

Electrical Specification (TA=25°C unless otherwise specified)

Parameter	Symbol	Min	Typ	Max	Unit	Conditions
Forward voltage	VF1		0.28		V	IF=1mA
	VF2		0.36		V	IF=10mA
	VF3		0.54	0.60	V	IF=50mA
Reverse current	IR			5	μA	VR=10V
Total capacitance	CT		18	25	pF	VR=0,f=1MHZ

MARKING: S3

RATINGS AND CHARACTERISTIC CURVES

